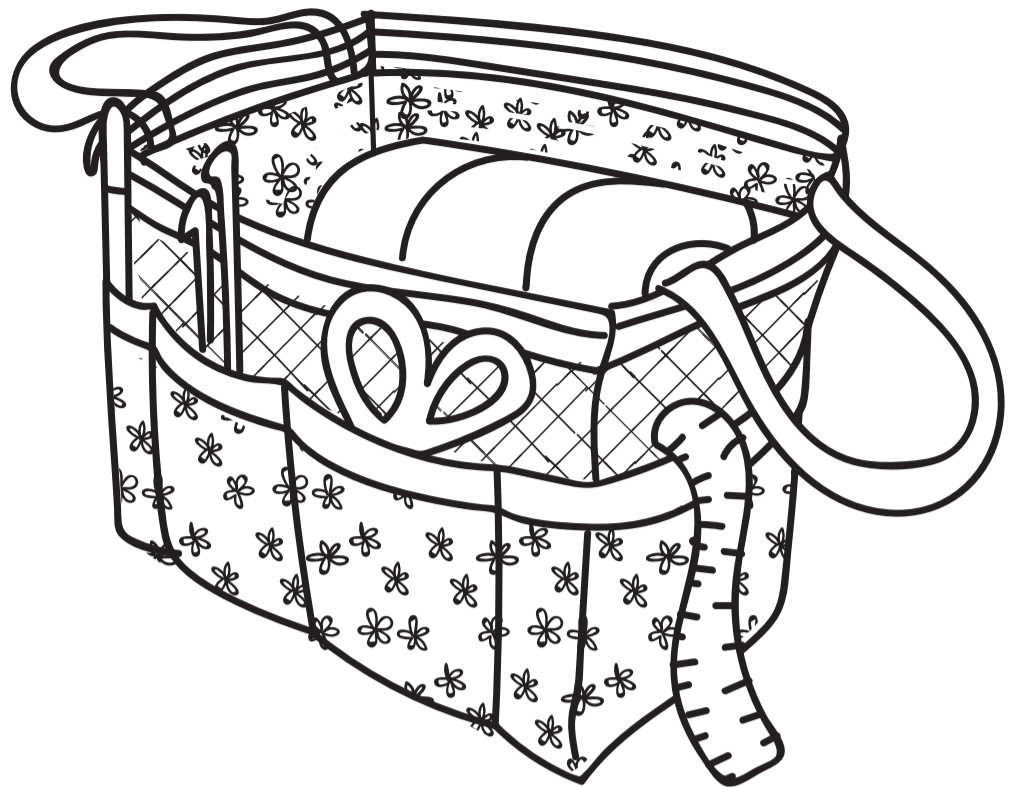


# Sewing Caddy

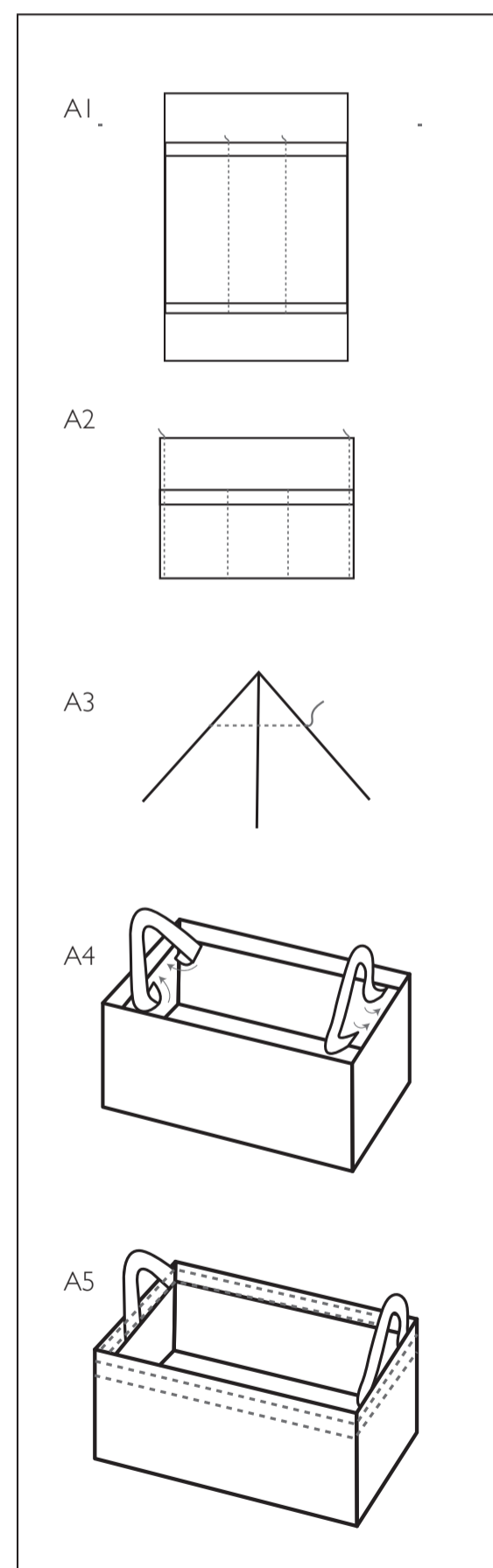
This nifty little sewing basket is neat enough to sit on your desk or move around with you to wherever you're working, but it's still roomy enough to hold all your stash essentials. Fill it up with your cotton spools, pins, scissors and all the other knick-knacks currently cluttering up your workspace.

## You will need...

- Fabric fat quarters
- Fusible interfacing
- Sewing machine (optional)
- Needle and thread
- Scissors and pins
- Iron and ironing board



1. Cut out the templates and cut 2 pieces of interfacing 30 x 44cm.
2. Iron interfacing onto the wrong side of the 2 large fabric pieces and place wrong sides together. Decide which side you want as your inner basket fabric and place face down.
3. Pin the smaller pieces together wrong sides facing. Determine which fabric you want as the pocket lining and place face down.
4. Fold and press the bias tape with one side slightly lower than the other. Open the tape up and pin to the edge of your fabric. Sew along the first fold line. Fold the bias tape over, enclosing the fabric. From the front, pin along the 'ditch' (the first line of stitching) being sure to catch the tape on the back. Stitch in the ditch.
5. Pin or baste the pocket piece to the main piece, ensuring it is centered.
6. Mark 10cm from both edges of the bindings and sew a straight line from the top edge of the top binding to the bottom edge of the bottom binding. (A1)
7. Fold in half wrong side facing.
8. Sew close to the edge on both sides. Trim and turn inside out. Sew down the sides again to enclose the raw edge. Turn right side out.
9. Open out and flatten the side seams. Mark a 10cm line with the seam at the centre. Sew and trim excess corner close to the stitching. Turn inside out and sew along the same edge. Repeat for both ends. (A2)
10. Press creases from the corners to the top of the basket and also press a crease between the corners front and back.
11. Fold over the top edge 2cm, press and fold over again 2cm. Open out the fold and cut away some bulk by trimming the inner fabric down to the first crease line. Snip away some of the bulk at the side seams. Fold back over and pin in place. (A3)
12. Fold 2 x 25cm of bias binding in half and sew along the edge to create the handles. Insert the ends of the handles under the fold close to the corners. Fold up and pin in place. (A4)
13. Top stitch around the top edge 1.5cm from the top. Top stitch again 0.5cm from the top edge. You may need to turn the needle by hand over the seams. (A5)



Match up the dotted lines

Sewing caddy  
Basket pieces  
(outer & lining)  
(over 2 pages)



Cut this template  
for your sewing caddy

Match up the dotted lines

Sewing caddy  
Basket pieces  
(outer & lining)  
(over 2 pages)



Cut this template  
for your sewing caddy

# Sewing caddy

## Pocket pieces (outer & lining)



Cut this template  
for your sewing caddy