



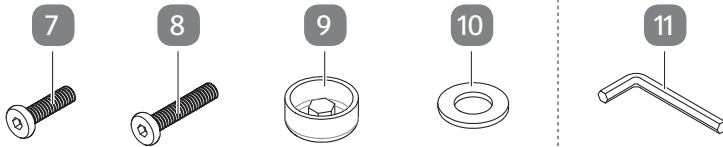
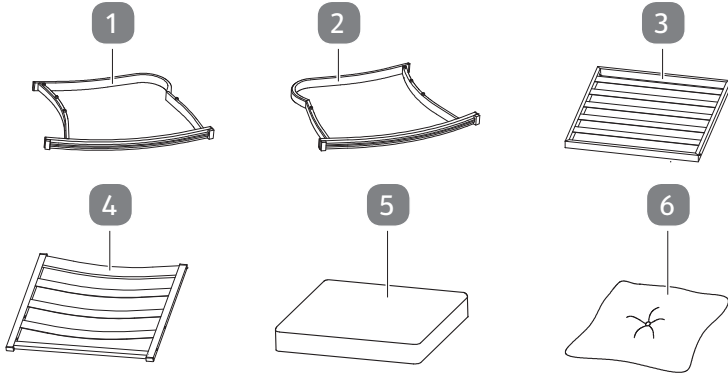
Assembly Instructions

GARDENLINE®

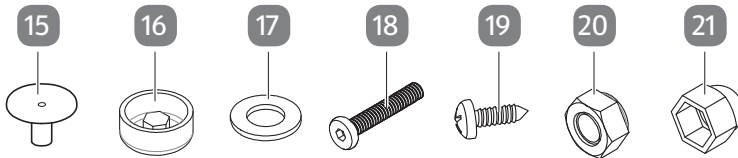
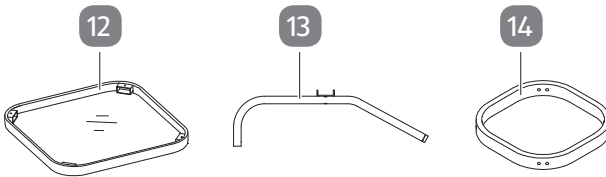
ROCKING BISTRO SET



Chairs



Table



Contents

Chairs

- 1 Left armrest, 2×
- 2 Right armrest, 2×
- 3 Sitting surface, 2×
- 4 Backrest, 2×
- 5 Seat cushion, 2×
- 6 Backrest cushion, 2×

Connecting elements supplied

- 7 M6 × 25 bolt, 8×
- 8 M6 × 35 bolt, 8×
- 9 Bolt cap, 16×
- 10 Washer, 16×

Tools supplied

- 11 Hex key

Table

- 12 Tabletop
- 13 Leg, 4×
- 14 Leg support

Connecting elements supplied

- 15 Spacer, 4×
- 16 Bolt cap, 8×
- 17 Washer, 8×
- 18 M6 × 40 bolt, 8×
- 19 M4 × 12 screw, 4×
- 20 Nut, 8×
- 21 Nut cap, 8×

Tools supplied

- 22 Hex key
- 23 Wrench

Required tools (not included)

- 24 Crosshead screwdriver



Table of contents

Contents	3
Connecting elements supplied.....	3
Tools supplied.....	3
Required tools (not included)	3
General information	5
Reading and storing the assembly instructions.....	5
Proper use	5
Explanation of symbols	5
Safety	6
Signal symbol/word definitions	6
General safety instructions	6
Product description	8
First use	8
Checking the product and package contents.....	8
Basic cleaning.....	8
Assembly	9
Assembly steps.....	9
Cleaning and maintenance	13
Cleaning.....	13
Maintenance	14
Storage	14
Technical data	14
Disposal	15
Disposal of the packaging	15
Disposing of the product	15

IMPORTANT, RETAIN FOR FUTURE REFERENCE: READ CAREFULLY!

General information

Reading and storing the assembly instructions



These assembly instructions accompany this rocking bistro set (hereafter referred to as the “product”), and contain important information on setup and handling.

Before using the product, read the assembly instructions carefully. This particularly applies to the safety instructions. Failure to do so may result in personal injury or damage to the product.

The assembly instructions are based on the standards and rules in force in the United Kingdom and in the European Union (Ireland). When abroad, you must also observe country-specific guidelines and laws.

Store the assembly instructions for further use. Make sure to include these assembly instructions when passing the product on to third parties.

Proper use

The product is exclusively designed for use in private living areas, e.g. balcony, terrace or garden. It is only intended for private use and not suitable for commercial purposes.

Only use the product as described in these assembly instructions. Any other use is considered improper and may result in damage to property or persons.

The manufacturer or vendor cannot be held liable for damages or injury incurred through improper or incorrect use.

Explanation of symbols

The following symbols are used in these assembly instructions, on the product or on the packaging.



This symbol provides you with useful additional information on handling and use.



Filling material(s) and covering fabric(s) meet the requirements for resistance to cigarette and match ignition in the 1988 safety regulations. CARELESSNESS CAUSES FIRE.

Safety

Signal symbol/word definitions

The following symbols and signal words are used in these assembly instructions.



This signal symbol/word designates a hazard with moderate risk, which may result in death or severe injury if not avoided.



This signal word warns of possible damage to property.

General safety instructions



Risk of injury!

If you use the product improperly, it may result in personal injury.

- Make sure that the product is properly installed on solid, stable and level ground. Do not install the product on a slope.
- The product can tip over when it is loaded too heavily or on one side. Make sure the load is evenly distributed.
- Do not sit on the backrest or armrest of the rocking chairs.
- Do not climb or stand on the rocking chairs or table.
- Do not use the rocking chairs or table as a climbing aid.
- The tabletop is made of glass. If the table tips over, the glass may splinter and cause serious injury. Do not lean against the table.
- The maximum loading capacity of each rocking chair must not exceed 110 kg. Otherwise, the rocking chair may be crushed and cause personal injuries.
- Make sure that the product is stable and inspect the product before each use. The safety of the product can only be ensured if it has been properly assembled and all connections have been made securely.

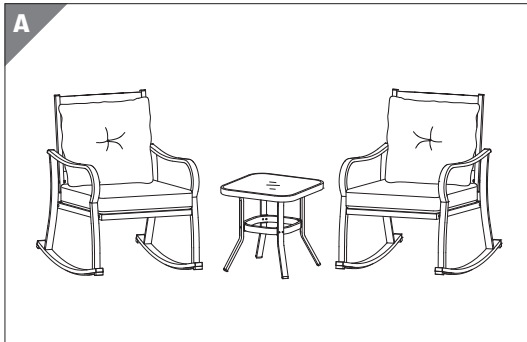
-
- Make sure that children do not play with the plastic wrapping. They may get caught in it when playing and suffocate.
 - Keep children away during the assembly of the product. Bolts and other small parts are included. They may cause choking if swallowed or inhaled.

NOTICE!**Risk of damage!**

Improper handling of the product may result in damage.

- Assemble the product on an adequately large, scratch-proof surface. If necessary, cover the intended assembly surface first before assembly to avoid scratching the surface.
- Do not place the product near or against any open flames, heaters, furnaces or other hot objects. Keep it away from fire.
- Slip a cover over the product overnight and when not in use for extended periods.
- Store the cushions in a dry place overnight and when not in use for extended periods.
- Never attempt to clean the product by immersing it in water and do not use a steam cleaner to clean it. Otherwise the product could be damaged.
- Check regularly the stability of all connections and retighten the bolts. Do not overtighten the bolts as this will add unnecessary stress on the frame.
- Stop using the product if any of its parts exhibit cracks or breaks or are deformed. Only replace damaged parts with corresponding original spare parts.

Product description



The product is exclusively designed for use in private living areas, e.g. balcony, terrace or garden.

First use

Checking the product and package contents

NOTICE!

Risk of damage!

If you are not cautious when opening the packaging with a sharp knife or other pointed object, you may quickly damage the product.

– For this reason, be very careful when opening it.

1. Take the individual parts of the product out of the packaging.
2. Check to make sure that all parts are included (see chapter “Contents”).
3. Check whether the product or individual parts are damaged. If this is the case, do not use the product. Contact the manufacturer via the service address indicated on the warranty card.

Basic cleaning

1. Remove the packaging material and all plastic wrappings.
2. Clean all parts of the product before first use as described in the chapter “Cleaning and maintenance”.

Assembly

NOTICE!

Risk of damage!

Improper handling of the product may result in damage to the product.

- Assemble the product on a soft and clean surface. Place a blanket under the product to avoid scratching or damaging the surfaces.

Assembly steps

Assemble the product following the instructions and illustrations below.



- At least two competent persons are required to assemble the product to make assembly easier and avoid injury.
- Use the hex keys **11** / **22** (provided), wrench **23** (provided) and a crosshead screwdriver **24** (not provided) to assemble the product.
- Only loosely fasten all bolts initially and fully tighten all bolts when the assembly is completed.

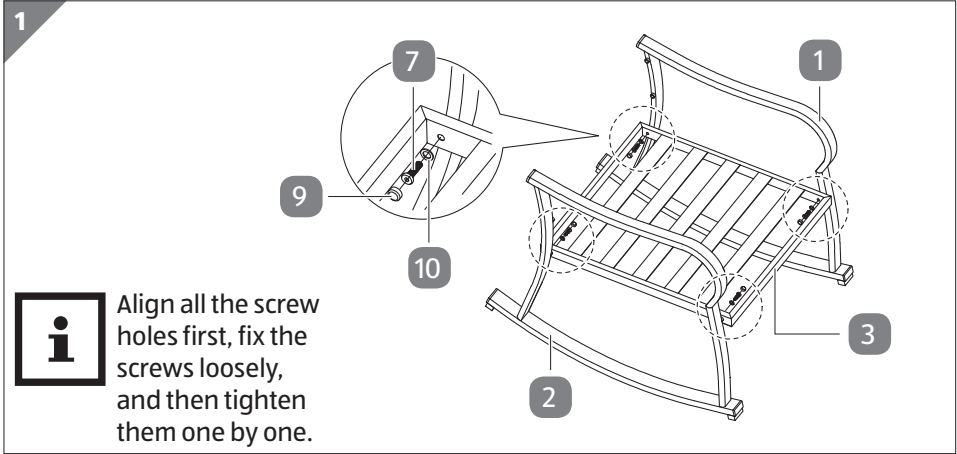
1 Assembling the rocking chairs 10

2 Assembling the table 11

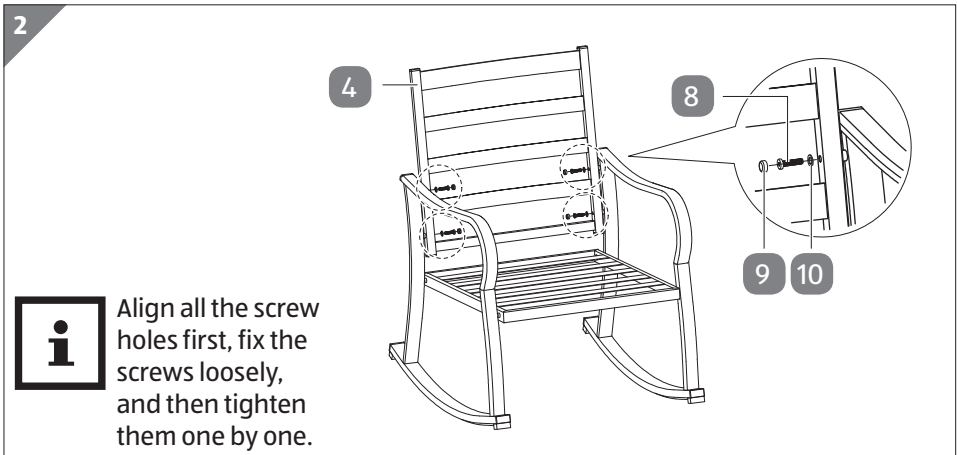
1 Assembling the rocking chairs



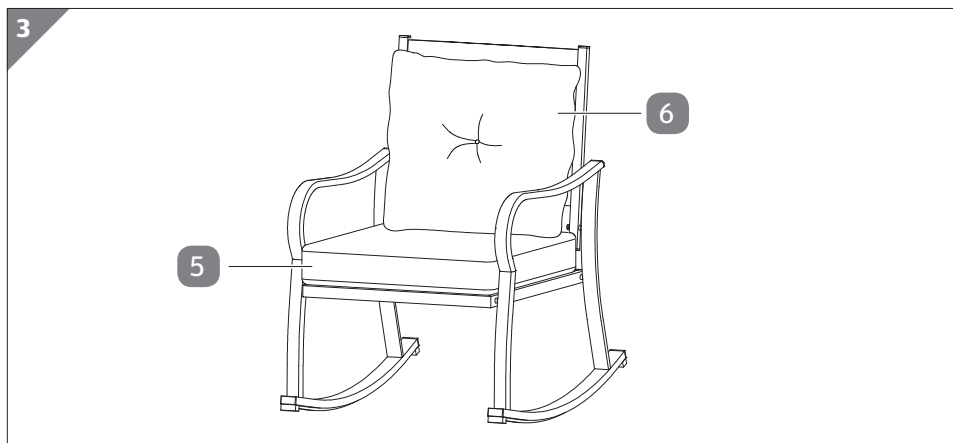
The rocking chairs produce a gentle rocking motion. Hold on to one of the armrests to keep your balance when sitting on or standing up from the rocking chairs.



1. Attach the left armrest **1** and the right armrest **2** to the sitting surface **3** with one washer **10**, one M6 × 25 bolt **7** and one bolt cap **9** at each connection (see **Fig. 1**).

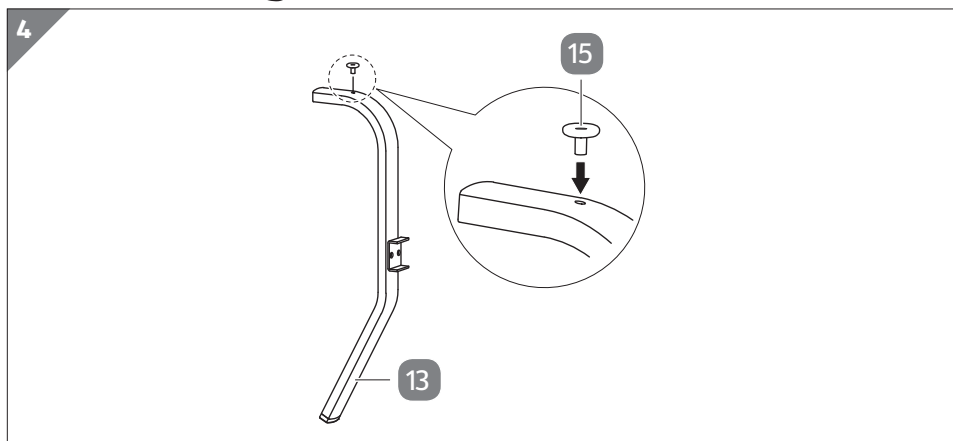


2. Attach the backrest **4** to the assembled structure with one washer **10**, one M6 × 35 bolt **8** and one bolt cap **9** at each connection (see **Fig. 2**).

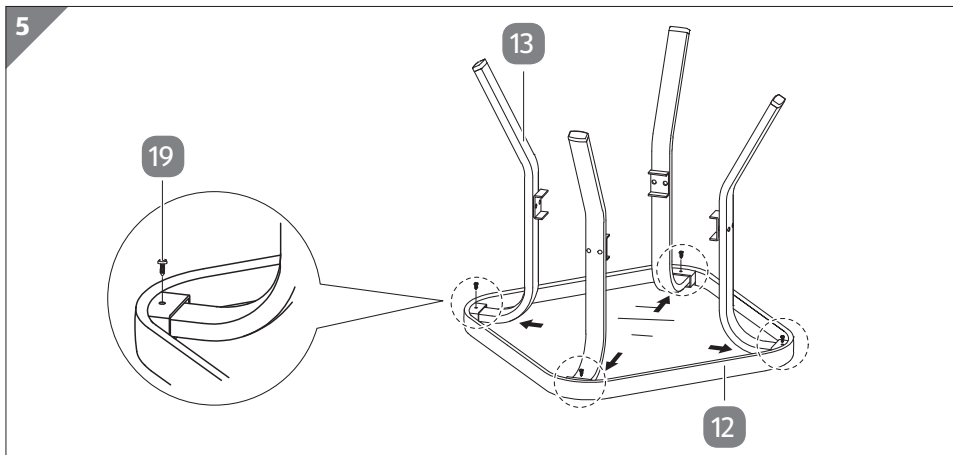


3. Place the seat cushion **5** and backrest cushion **6** onto the rocking chair (see **Fig. 3**).
 4. Secure the cushions on the rocking chair with the hook and loop fasteners at the back of the cushions.
 5. Repeat the steps above to assemble another rocking chair.
- The rocking chairs are ready for use.

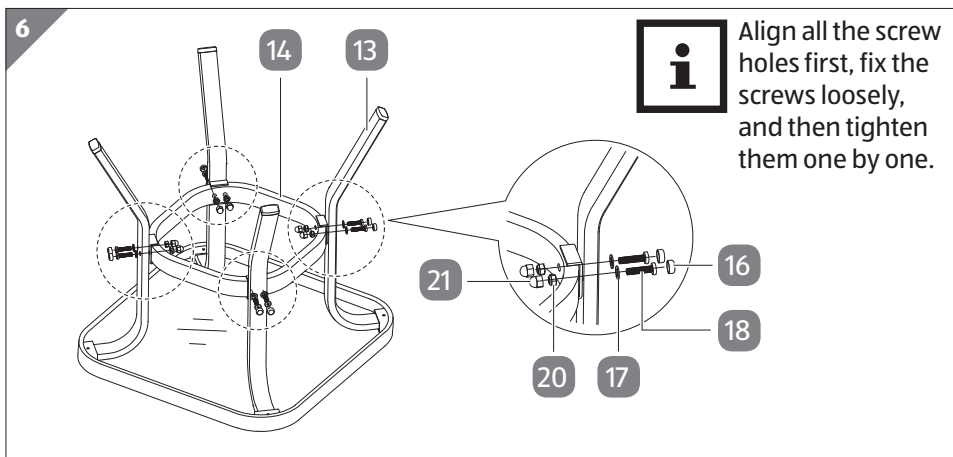
2 Assembling the table



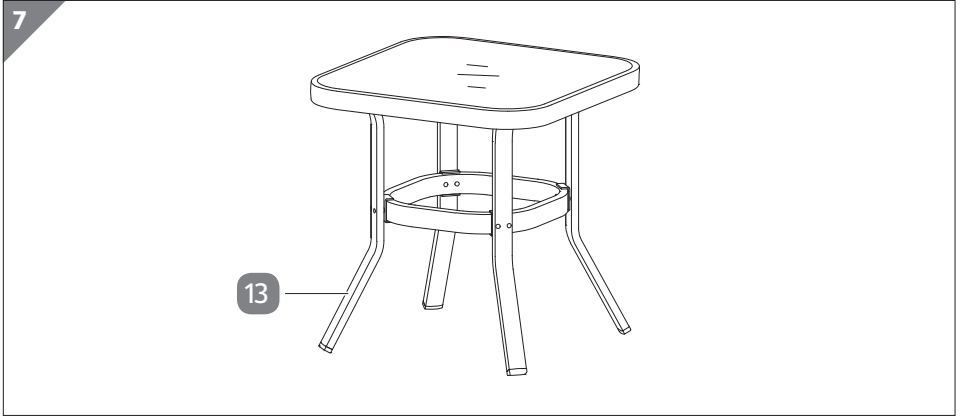
1. Attach a spacer **15** to the top of each leg **13** (see **Fig. 4**).



2. Insert the legs **13** into the brackets on the underside of the tabletop **12** and secure each leg to the tabletop with one M4 × 12 screw **19** (see **Fig. 5**).



3. Attach the leg support **14** to the legs **13** with two M6 × 40 mm bolts **18**, two washers **17** and two nuts **20** at each connection. Cover all bolts and nuts with bolt caps **16** and nut caps **21**, respectively (see **Fig. 6**).



4. Turn the table over and place it on a flat and stable surface with all legs **13** touching the ground surface (see **Fig. 7**).

The table is ready for use.

Cleaning and maintenance

Cleaning

NOTICE!

Risk of damage!

Improper handling of the product may result in damage.

- Do not use any aggressive cleaners, brushes with metal or nylon bristles, or sharp or metallic cleaning utensils such as knives, hard scrapers and the like. They could damage the surfaces.

Cleaning the frames

1. Use a damp cloth to wipe off the frames.
2. Let the frames dry completely.

Cleaning the cushions



Do not wash. Do not bleach. Do not tumble dry. Do not iron.
Do not dry clean.

- Wipe clean the covers of the cushions **5**/**6** only with warm water and a sponge. Then let them dry completely.

Maintenance

- Always protect the cushions **5**/**6** from rain and moisture. They are not suitable to be used in a wet environment.
- Regularly check that all bolt and screw connections are tight and re-tighten if necessary. Loose bolt and screw connections may impair safety. There is a risk of injury.

Storage

NOTICE!

Risk of damage!

Storing the product in a damp area will allow rust to form on bolts. This may permanently and irreparably damage the functionality or load bearing capacity of the product.

- Avoid dust, water, moisture, frost, extreme temperature, high humidity and direct sunlight.
- Cover the product with a waterproof cover when heavy or persistent rain or snow is forecast. However, make sure there is good ventilation around the product even if it is covered.
- All parts must be completely dry before being stored.
- Always store the product in a dry and cool area.
- Store the product so that it is not accessible to children.

Technical data

Model: 811944

Dimensions (D × W × H)

- Rocking chair (each): Approx. 78 × 60 × 86 cm (without cushion)
- Table: Approx. 46 × 46 × 46 cm

Loading capacity

- Rocking chair (each): 110 kg

Product code: 811944

Disposal

Disposing of the packaging



Sort the packaging before you dispose of it. Dispose of paperboard and cardboard with the recycled paper service and wrappings with the appropriate collection service.

Disposing of the product

- Dispose of the product in accordance with the applicable laws and regulations for your country.



Great care has gone into the manufacture of this product and it should therefore provide you with years of good service when used properly. In the event of product failure within its intended use over the course of the first 2 years after date of purchase, we will remedy the problem as quickly as possible once it has been brought to our attention. In the unlikely event of such an occurrence, or if you require any information about the product, please contact us via our helpline support services, details of which are to be found in this manual.

Appliances can be used by persons with reduced physical, sensory or mental capabilities or lack of experience and knowledge if they have been given supervision or instruction concerning use of the appliance in a safe way and understand the hazards involved.



PRODUCED IN CHINA FOR:

ALDI STORES LTD. PO BOX 26, ATHERSTONE
WARWICKSHIRE, CV9 2SH

ALDI STORES (IRELAND) LTD.
PO BOX 726, NAAS, CO. KILDARE
Visit us at www.aldi.com

AFTER SALES SUPPORT

811944



GB 0 1827 438 013 IE 0 124 695 20



Aldi-UK@protel-service.com

Aldi-IRE@protel-service.com

MODEL:

811944

04/2022

3
YEAR
WARRANTY