



ROOF STORAGE BOX USER GUIDE

WARNING

- It is important to correctly follow the instructions for fitting and use instructions.
- Instructions for fitting and use must be retained and given to subsequent users of the carrier.
- Carrier must not be used on other vehicles or roof bars that do not match the instructions.
- Fixing devices must be tightened correctly and checked regularly during travel.
- Carry loads only within the limitations detailed.
- Ensure all loads are correctly secured and regularly checked during journeys.
- The carrier must be checked and maintained in good working order in accordance with the instructions.

The Auto XS Roof Storage box is very large and difficult to transport without damaging the product. In the event that you are not satisfied with the product due to a problem or

there is a breakage and spare parts are required during the life of the product, we would ask that you ring our after sales support team.



ALDI Stores Ltd
PO Box 26, Atherstone, Warwickshire, CV9 2SH

ALDI Stores (Ireland) Ltd
PO Box 726, Naas, CO. Kildare

Customer Care for spare key replacements:
info@g3spa.it

Important Safeguards

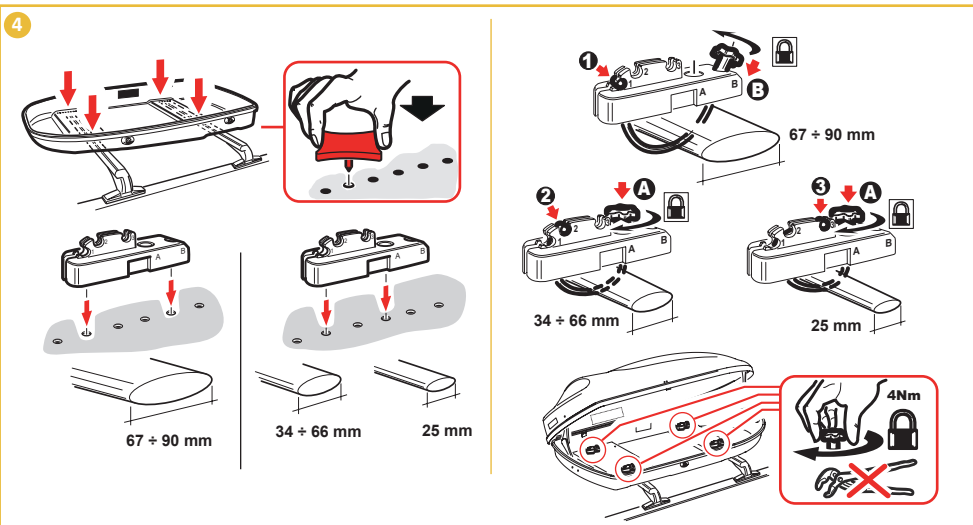
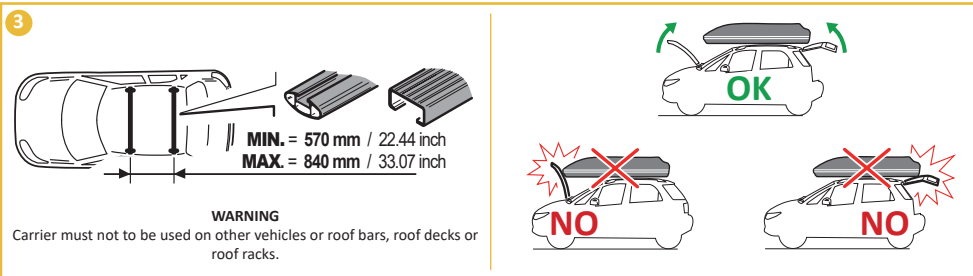
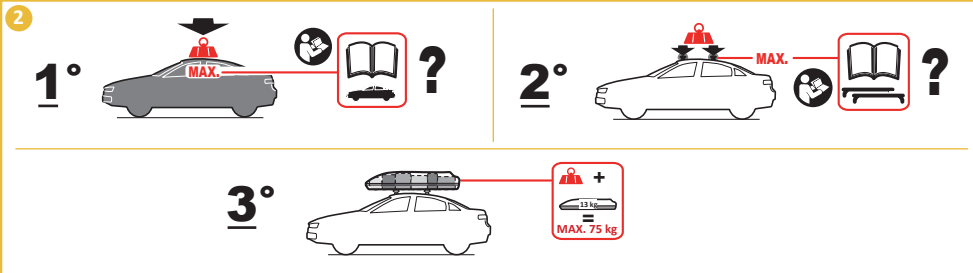
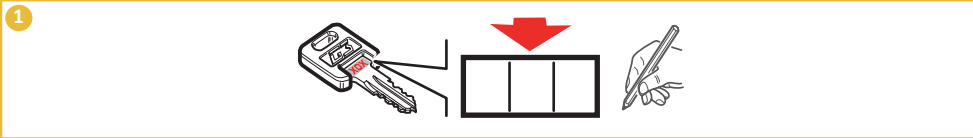
- Do not exceed maximum load capacity of roof storage box - 75kg. Verify maximum load capacity for the roof of your vehicle. The total weight of the roof storage box, including contents, cannot exceed the maximum roof load capacity.
- The load must be evenly distributed with the lowest possible centre of gravity.
- The roof storage box lid must never be closed with force.
- Do not travel with the key in lock.
- If you need to transport objects with sharp edges, you are required to cover the edges to prevent damage to the roof storage box.
- Always make sure that the roof storage box is closed and locked when travelling.
- For reason of safety and energy savings, it is advisable to remove the roof box from your vehicle when not in use.
- Mount the roof storage box in the direction of travel to reduce wind resistance.
- Before setting out and periodically during a trip, check to make sure the roof storage box is still firmly fastened in place. Make sure that the straps that bind the load are tightened and the load has not shifted.
- Never use a car wash when the roof box is attached to your vehicle.
- To reduce fuel consumption, the roof load carrier should be removed after use.

- Pay attention to the total height of the vehicle which is obviously different because of the fixed roof storage box, particularly when entering tunnels and underground facilities. A sticker is provided to mark the height of your vehicle with the roof box attached. We suggest you stick this on your windscreen as a reminder.
- The handling characteristics of a vehicle will change when a roof storage box is fitted and especially when it is loaded (in particular, cross-wind sensitivity, handling on bends, and braking). Driving techniques should be altered to allow for these changes, such as, reducing speed, (especially on bends) and allowing for longer braking distances.
- The manufacturer declines all liability for damage deriving from the vehicle having been driven at a high speed, from having been driven incorrectly, or from the roof storage box or load having been poorly positioned, fixed or fastened.
- It is important to fasten the load inside safely with securing straps supplied.
- Do not exceed the recommended maximum speed of 110kmph with load applied to roof storage box.

Care and Maintenance

- Do not use abrasive or corrosive agents for cleaning purposes.
- Clean roof storage box with warm water and good quality car wash.

Assembly



1. Each roof storage box comes with 2 keys both stamped with a unique 3 digit number. Record that number here - See box 1. In the event that you misplace your keys, there are replacement keys available at a nominal cost.

2. Maximum load capacities for both vehicle's roof and roof racks must be checked. Refer to respective manufacturer's manuals, also ensuring roof rack bars fitted correctly.

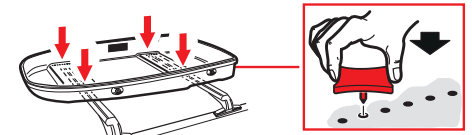
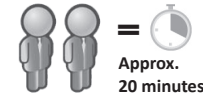
Do NOT exceed maximum load capacity of 75 Kg

3. Roof storage box can be mounted on most roof rack bars with a minimum of two bars. The distance between the bars must be a minimum of 700mm and a maximum of 830mm. Place the roof storage box on the roof racks and determine the mounting position. Make sure the roof storage box is mounted so that the part which protrudes does not restrict front bonnet and boot access. When fitting or loading the roof box, it is suggested that you load or fit with the wind blowing against the solid face of the roof box, not the

open face. It is recommended to stand on a ladder when mounting the roof box, not use the side of your vehicle.

4. First, determine the precise attachment points and push out the pre-perforated holes with a screwdriver or a similar strong, narrow tipped device (not included). Align the roof storage box to the roof rack bars and then determine the location of the attachment kits supplied. Depending on the width of the roof rack bar, secure the attachment cable by choosing

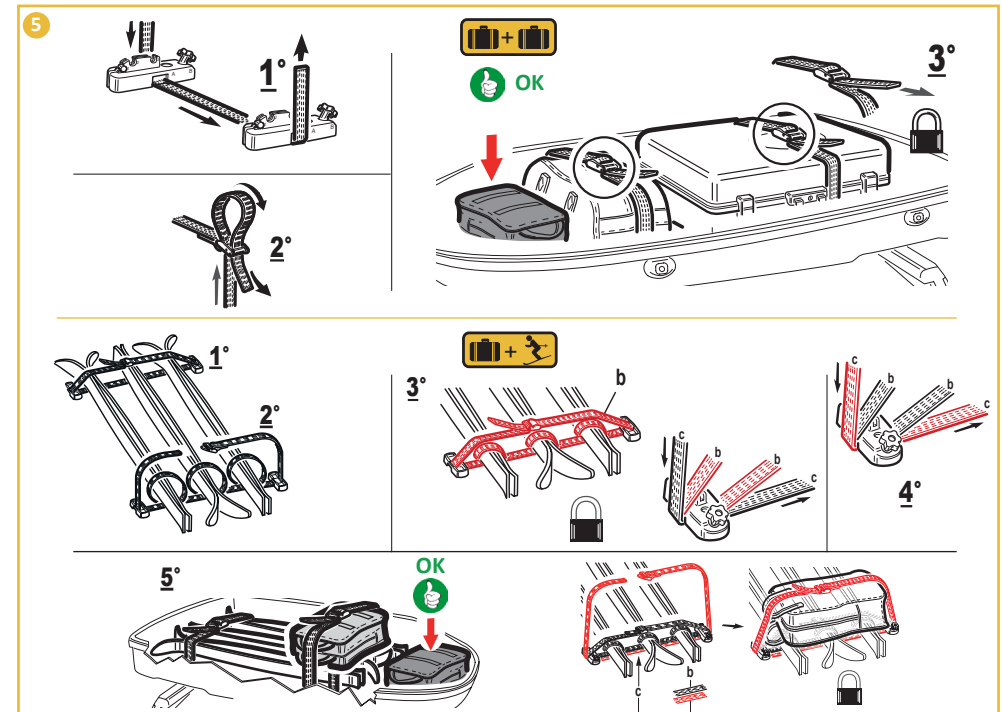
either 1, 2 or 3 attachment provision as shown in the adjacent diagram. Thread the attachment cable under the roof rack then select either position A or B to thread through. Secure the attachment cable with the plastic knobs supplied. Ensure the plastic knobs are screwed down securely.



Pre-perforated holes.

For safety reasons, we recommend two people mount the roof box.

Securing Straps



Use the securing straps supplied to secure the contents of the roof storage box as shown in the adjacent diagrams. This will prevent damage to the contents as well as the inside of the roof storage box.

The straps will assist in restricting movement of goods, especially items such as suitcases or snow skis.